



HiFlux Filtration A/S

Professional SELF-CLEANING Liquid filter solutions

**Auto-line© Self-cleaning filters
XXLR-E, XXL & XXLE**



Auto-line© Automatic Filters

HiFlux Auto-line filters are designed as compact self-cleaning automatic filters with a wide range of applications for various types of liquids. The sturdy construction of the filter makes it well suited for industrial and hygienic applications in which operational reliability and dependability are essential.

The industrial Auto-line filter is used in many sectors such as paint, cooling water, waste water, technical water, heat exchanger, chemicals, resins and energy sector. The hygienic Auto-line filter is used in sectors such as: various cheese products, chocolate, coffee, honey, egg, beverage, oil and fats, sugar and CIP liquids.

The Auto-line filter is used when an automatic continuous cleaning process is required. The impurities are being concentrated in the filter, until it is drained away, while the filter is still in operation the liquid loss due to cleaning is minimal.

The Auto-line filters are also available as R-E versions, where the scraping process is driven by an electric gear-motor or as the P version, where the scraping process is driven by a pneumatic actuator. The E filter versions has an extended pneumatic cylinder, so that cross contamination between the liquid to be filtered and the pneumatic system is avoided.

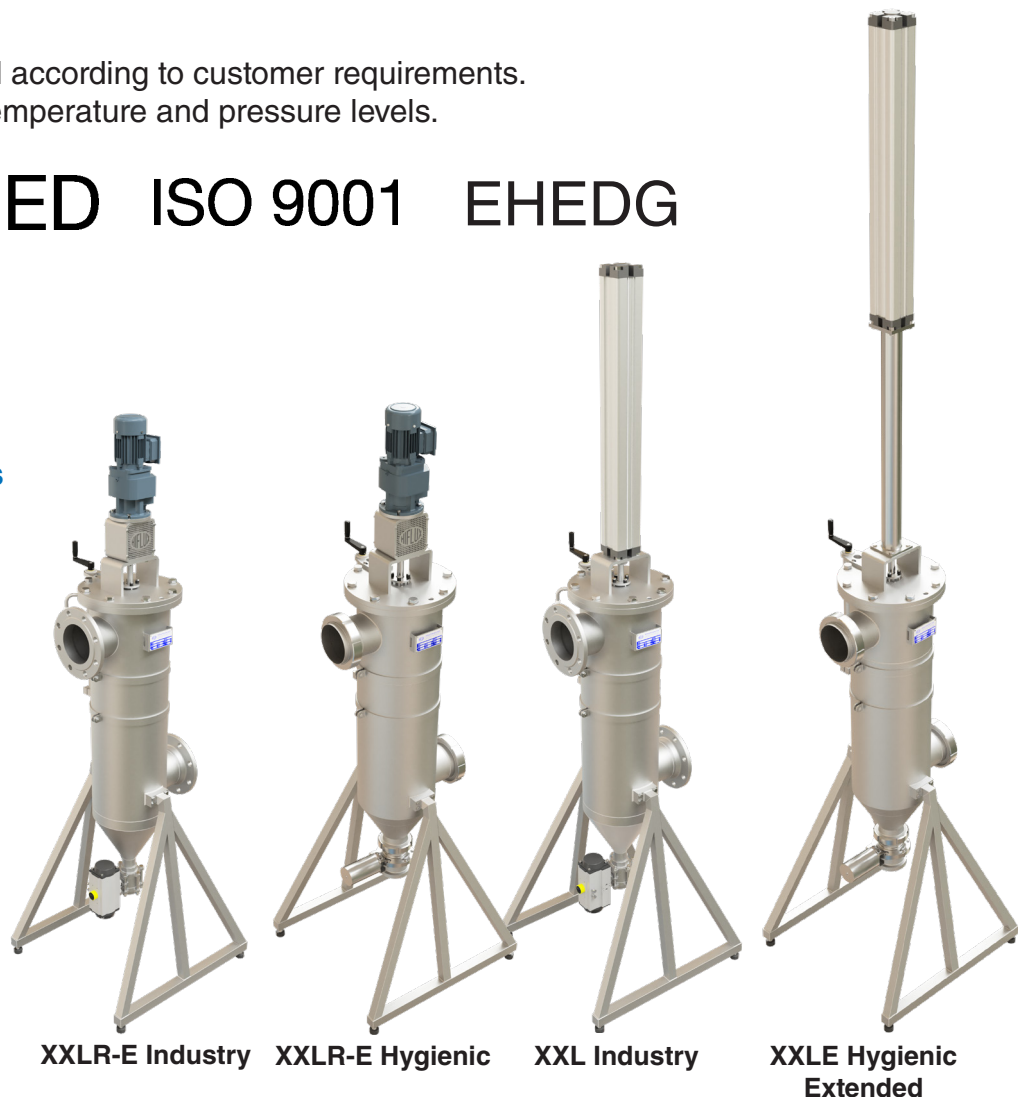
In the design of the filter it was very important to make the construction robust and reliable. By limiting the number of moving components, wear and maintenance requirements are minimized. The simple construction makes the filter very easy to service, since there is no need for external service assistance or special tools. Furthermore, the compact design of the filter is making it suitable for locations, where the height is a limitation.

Special versions can be supplied according to customer requirements. Typically different connections, temperature and pressure levels.



Capacity: 61 - 243 m³/h
Filtration: 30 - 2000 µm
Pressure: 10 bar (16 bar)

- **Removes unwanted particles**
High operational reliability
- **Continuous flow process**
Self-cleaning application
- **Ensures the quality**
Increased product safety
- **Eliminates downtime**
Optimizing earnings
- **Savings on running costs**
Purchase and exchanging filter bags is no longer needed



Auto-line© Automatic Filters - XXL-R-E

Product specifications

HiFlux Auto-line filters are manufactured of stainless acid-resistant steel. The filter meets current standards and norms for pressure vessels, complies with the Machinery directive. The filter is CE labelled when the filter complies with relevant legislation.

The filter can be delivered ready for installation, complete with electronic controller and automatic drainvalve.

The Auto-line filter solutions has a wide range of addons, such as: lifting device, sluice system, flush valves, de-air valve, heating jacket, sealings, inverter, pressure sensors, legs, wagons and much more.

Filter vessel and element:	EN 1.4404 steel
Design pressure:	10 bar (16 bar)
Test pressure:	According to EN 13445
Max differential pressure:	3-7 bar
Max working temperature:	150°C (Fluid grp. 2 and vapor pre. < 0,5 bar)
Volume:	89,0 liters
Weight:	210 kg
Power supply:	3 x 230/400V, 50 Hz
Air supply:	6 bar, filtered
Flange connection:	DN150 EN1092-1/11
Drain:	Nipple Rp2 or DN50 PN16 EN1092-1/11
Drain chamber volume:	6,3 liters
Filtration:	30-50-100-150-200-300-500-1000 micron

Customized solutions can be manufactured upon request.

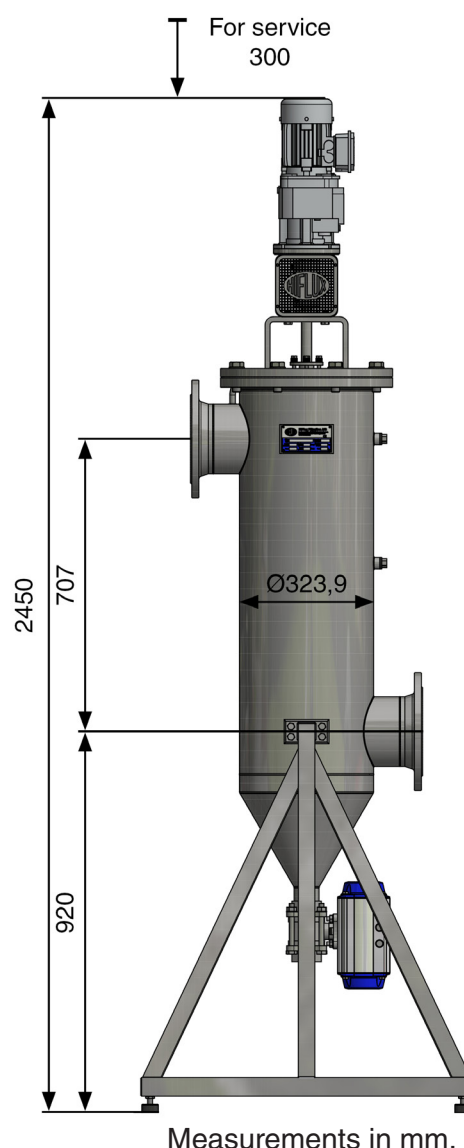
Capacity (at a viscosity of 1 cSt and as a pressure filter)

Diff. pressure	Strainer area cm ²	30 µm	50 µm	100 µm	150 µm	200 µm	300 µm	500 µm	1000 µm
0,05	4.840	61	71	111	121	121	121	121	121
0,10	4.840	80	93	144	157	157	157	157	157
0,15	4.840	102	118	184	192	200	200	200	200
0,20	4.840	124	143	223	233	243	243	243	243

Capacity (m³/ h) at different filtration rates (µm).

The filter should only be installed as a pressure filter in systems which have a positive overpressure (the surroundings must be taken into consideration). All Auto-line filters are standardly produced according to the pressure equipment directive 2014/68/EU article 4, section 3. The filters can be delivered with approval according to category I, II, III or IV. The Auto-line filters complies with the Machinery directive 2006/42/EC. Auto-line filters can be delivered with approval for use in explosive atmospheres (Equipment-category 2, zone 1) according to directive 2014/34/EU.

The Auto-line filters for hygienic use complies with the Declaration of conformity for Food contact materials EC1935/2004 for all elastomers and polymers. HiFlux Filtration A/S is a member of EHEDG and follows the guidelines from the European Hygienic Equipment Design Group.



Auto-line© Automatic Filters - XXL & XXLE

Product specifications

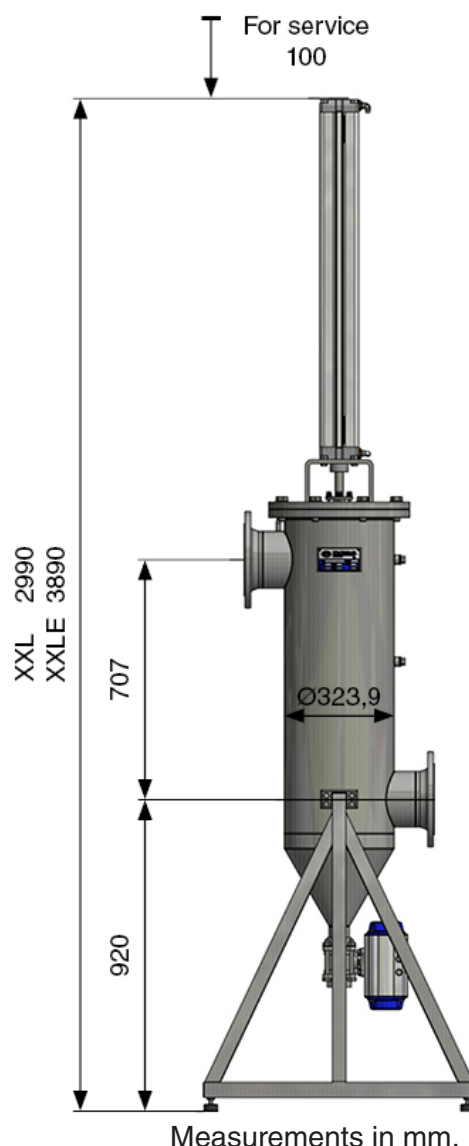
HiFlux Auto-line filters are manufactured of stainless acid-resistant steel. The filter meets current standards and norms for pressure vessels, complies with the Machinery directive. The filter is CE labelled when the filter complies with relevant legislation.

The filter can be delivered ready for installation, complete with pneumatic controller and automatic drainvalve.

The Auto-line filter solutions has a wide range of addons, such as: lifting device, sluice system, flush valves, de-air valve, heating jacket, sealings, pressure sensors, legs, wagons and much more.

Filter vessel and element:	EN 1.4404 steel
Design pressure:	10 bar (16 bar)
Test pressure:	According to EN 13445
Max differential pressure:	3-7 bar
Max working temperature:	150°C (Fluid grp. 2 and vapor pre. < 0,5 bar)
Volume:	89,0 liters
Weight:	190 kg (XXL) 200 kg (XXLE)
Power supply for controller:	230 VAC/50 Hz
Air supply:	6 bar, filtered
Flange connection:	DN150 EN1092-1/11
Drain:	Nipple Rp2 or DN50 PN16 EN1092-1/11
Drain chamber volume:	6,3 liters
Filtration:	30-50-100-150-200-300-500-1000 micron

Customized solutions can be manufactured upon request.



Capacity (at a viscosity of 1 cSt and as a pressure filter)

Diff. pressure	Strainer area cm ²	30 µm	50 µm	100 µm	150 µm	200 µm	300 µm	500 µm	1000 µm
0,05	4.480	61	71	111	121	121	121	121	121
0,10	4.480	80	93	144	157	157	157	157	157
0,15	4.480	102	118	184	192	200	200	200	200
0,20	4.480	124	143	223	233	243	243	243	243

Capacity (m³/ h) at different filtration rates (µm).

The filter should only be installed as a pressure filter in systems which have a positive overpressure (the surroundings must be taken into consideration). All Auto-line filters are standardly produced according to the pressure equipment directive 2014/68/EU article 4, section 3. The filters can be delivered with approval according to category I, II, III or IV. The Auto-line filters complies with the Machinery directive 2006/42/EC. Auto-line filters can be delivered with approval for use in explosive atmospheres (Equipment-category 2, zone 1) according to directive 2014/34/EU.

The Auto-line filters for hygienic use complies with the Declaration of conformity for Food contact materials EC1935/2004 for all elastomers and polymers. HiFlux Filtration A/S is a member of EHEDG and follows the guidelines from the European Hygienic Equipment Design Group.